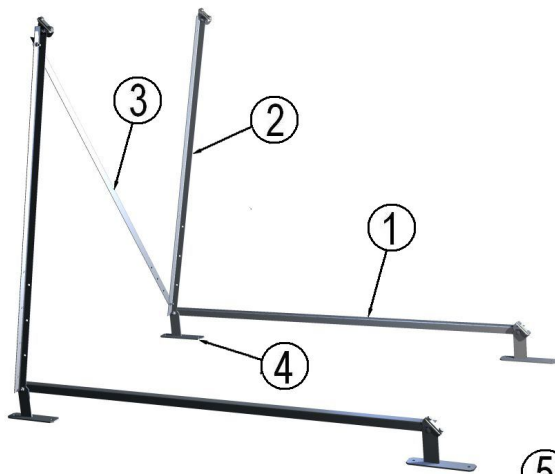
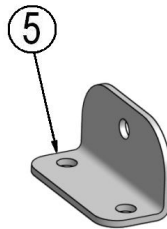
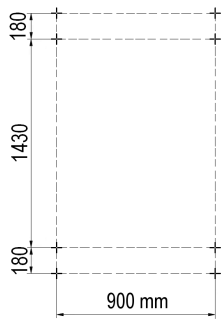


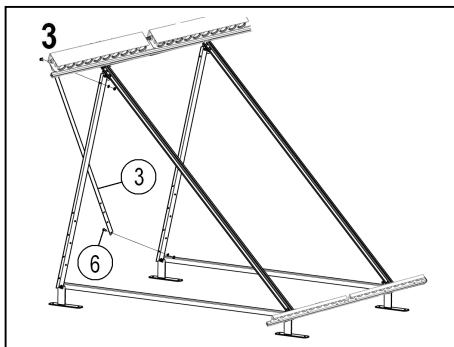
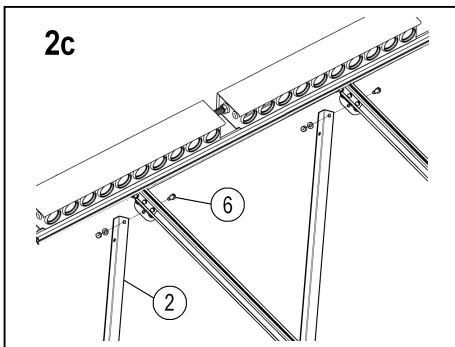
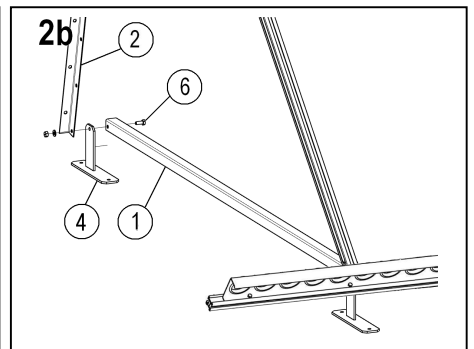
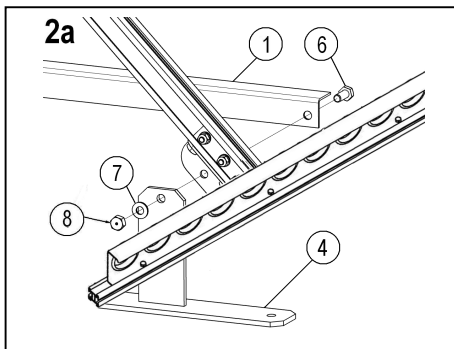
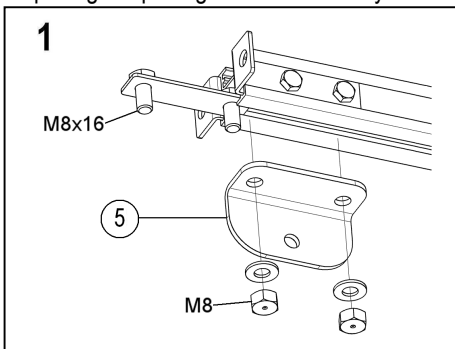
KSRL-2 UNIVERSAL STRUCTURE ASSEMBLY INSTRUCTION.



No	Name	Mount
1	Bottom connector	2
2	Back connector	2
3	Diagonal connector	1
4	Base	4
5	Connector	4
6	Screw M8x20	8
7	Washer Ø8	8
8	Nut M8	8



Spacing of openings for the assembly of the KSRL-2 universal structure.



The KSRL-2 universal structure is used to mount a 2×KSR10 collector.

Steps of the assembly:

1. Attach the connectors (3) to the vertical bars (included in the collector set).
2. Attach the bases (4), the bottom connector (1) and the back connector (2) using screws (6), washers (7) and nuts (8).
3. Attach the diagonal connector (3) using screws (6), washers (7) and nuts (8).

Additional information:

- Screws, washers, nuts and inserts necessary for attaching the KSRL-2 universal structure to the 2×KSR10 collector's frame are included in the set with the collectors.