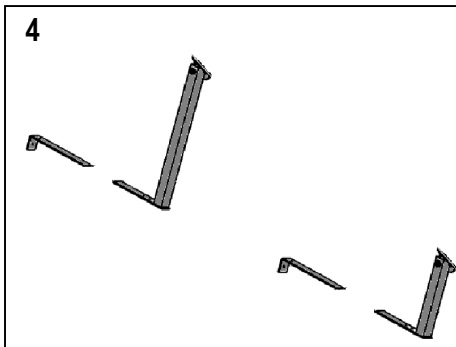
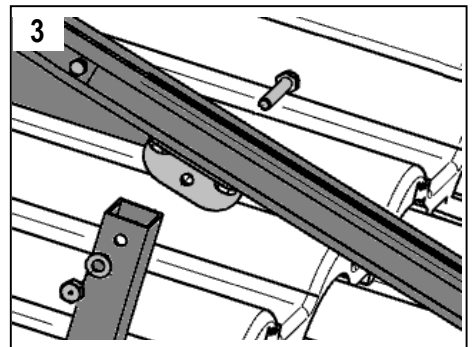
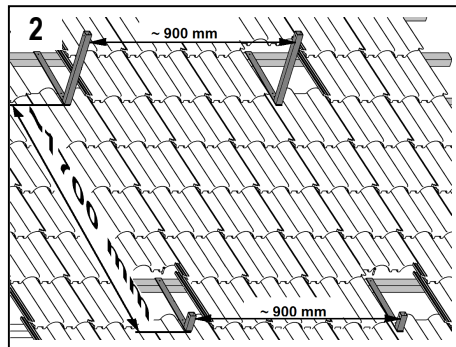
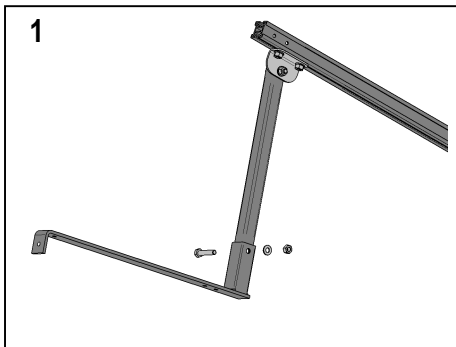


## KSRL-2 CORRECTING HOLDER ASSEMBLY INSTRUCTION.



No	Name	Mount
1	Profile 25x25x2	2
2	Hook	4
3	Connector	4
4	Screw M8x40	6
5	Washer Ø8	6
6	Nut M8	6



**The KSRL-2 correcting holder is used to mount the 2×KSR10 set.**

**Steps of the assembly:**

1. Attach the two profiles (1) with two hooks (2).
2. Remove tiles from places where the hook holders (2) will rest. Attach the hook holders to the lath with wood screws, leaving about 0.9 m of space between the holders in width and 1.7m between the top and bottom hook holders.
3. Connect the vertical bars (the collector's frame) with the hook holders (2) and tighten the nuts.

**Additional information:**

- If the roof is covered with metal roofing tiles or bituminous material, the hook holders (2) should be modified by cutting off the hooks (fig. 4).
- Screws, washers, nuts and inserts necessary for attaching the KSRL-2 correcting holder to the 2×KSR10 collector's frame are included in the set with the collectors.