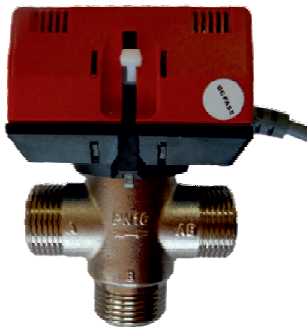


Electrical valve CKF 3325

Installation Manual



1. Summarize

CKF series of Electrical Valve is good at on the on-off conversion controlling of Heating Air Condition Water System, be consist of a driver and a valve body .The driver adopts the synchronous motor drive, spacing-contactor inside, can make the valve complete Power-on or complete power-off. Valve body is plated with rustproof brass, and its surface also be spray the sand and phosphated. Provided with the manual switch, be very convenient to alive adjustment or press adjustment, it will recover automatically when the power is on.

2. Technique Requirements

Driver Voltage: AC230V +/-10%,50/60Hz (Special made 110V or 24V)

Power Consume:4VA(only when the valve is open)

Running Time: Power on -18 sec. Powe off-15sec.

Length of Down-lead:100cm

Normal Pressure:1.6MPa

Closed Pressure differential: 2-way 0.3MPa; 3-way 0.15MPa

Connected mode: tube screw thread G

(Can not be connected with taper screw thread)

Medium of application: cold and frozen water, hot water and the dilution of water 50% etylene glycol.

Temperature of Medium:2-75 °C

-1-

Intellectual Property Rights Explanation:



Warning:

The symbol means the unit is being installed, it may cause electrical shock hazard during maintaining, so please make sure it is operated by the professional technical worker.

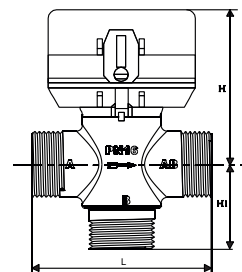
20.05.2011



3. Character

- 1.Rustproof brass valve body with high intensity, the pressure is big during its installing.
2. Low Power Consume, it only takes 4w power when the valve is open or closed.
- 3 Provided with spacing-contactor inside in order to make sure the long using life of motor.
4. Open the valve for 50%by manual, after debugging press-testing, it will auto-replace when it is gave the power.
5. The driver can be unloaded and connected expeditiously, simple to manipulate.
6. Valve is made uniquely, make sure it is closed intensively

4. Model Contrast and Main Dimension

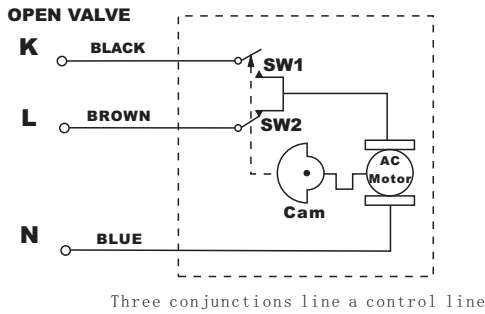


-2-

HEWALEX

Model	Spec		Main Dimension (mm)			m/h
	DN(mm)	Inner screw thread(G)	L	H	H1	
CKF 3325	25	1"	90	90	43,5	4,5

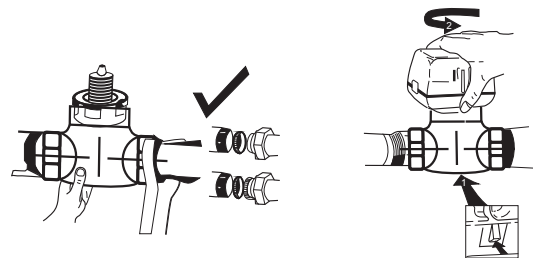
5. Electrical Diagram



HEWALEX

8. Pipeline Installation and schematic drawing

1. Before the installation, pls make sure the cleanness of pipeline, no sundries allowed
2. The valve can follow the flow way of A to B (2-way); A to AB or B to AB. It also can be connected to pipeline in any corner, but do not make driver lower than the horizontal line of valve. Also make sure that there has enough space around the driver in order to doing the maintenance and exchanging.
3. The screw thread which connected with the valve must be screw thread G, do not use the taper screw thread. Attention: The driver can be installed vertically on the valve, at this set, the lock pin will not play the role of lockup

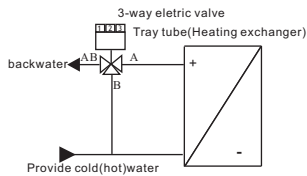


The driver can be installed vertically on the valve, at this set, the lockpin will not play the role of lockup

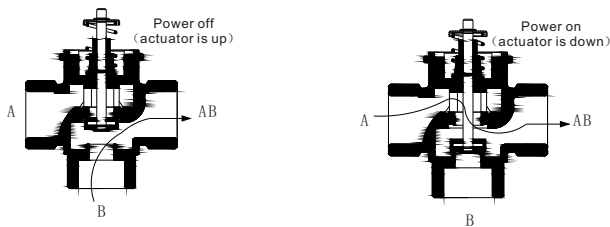
HEWALEX

6. The schematic drawing of water system installation

The flow way of 3-way valve's medium can follow (A → AB), or (B → AB).



7. Analytics diagram



HEWALEX

4. When screwing the part which water tube connected, do not fasten the driver, but handhold the valve and make spanner connected on the hexangular nut or hexangular valve's body. When installing the compact valve, lockup nut tightly to prevent it to make water. Attention, don't screw it excessively, its max torque is restricted from 44N.m~60N.m.
5. Pls make sure the heat preservation of pipeline and valve, do not put actuator to the attemperator's inner side.

9. Order notice and Installed Requirements

- 9.1 Before your send your goods order, pls provide below parameter: Product Model, Normal way-dimension, Normal Pressure; Flux Coefficient m/h; Medium Variety and Working Temperature.
- 9.2 When the valve and actuator are provided separately, we can assemble them in spot.