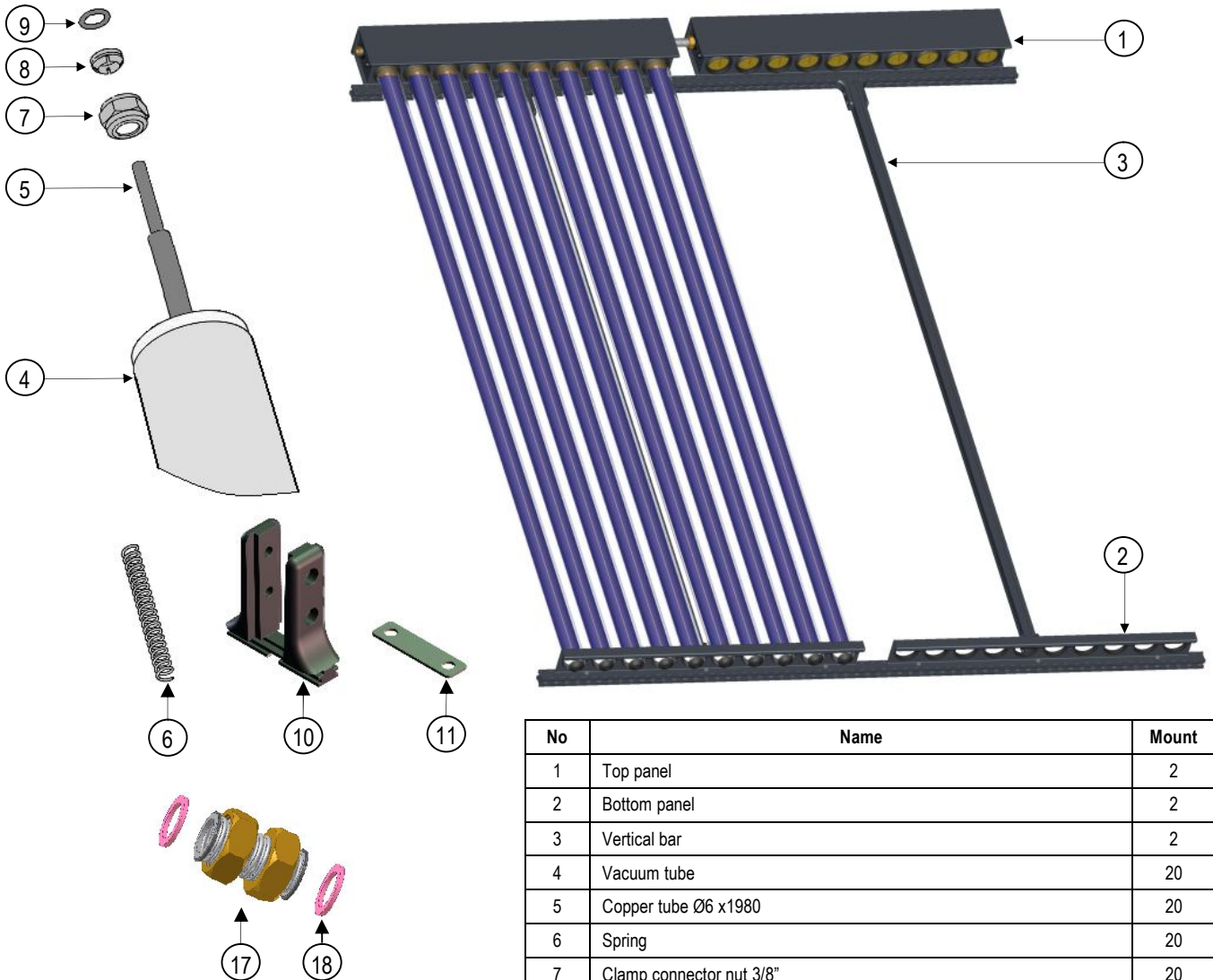
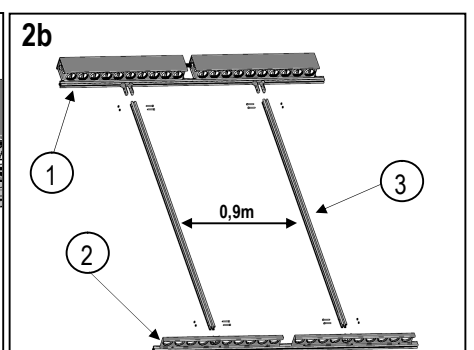
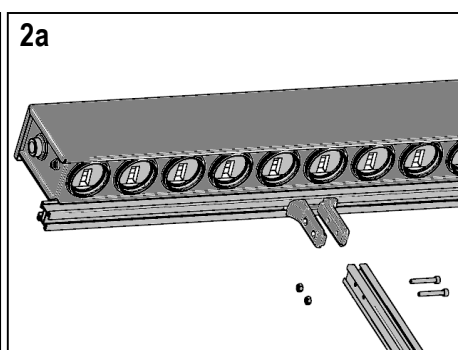
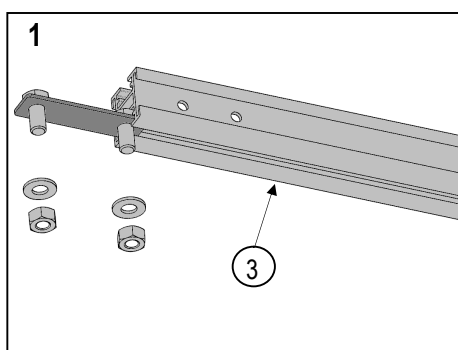
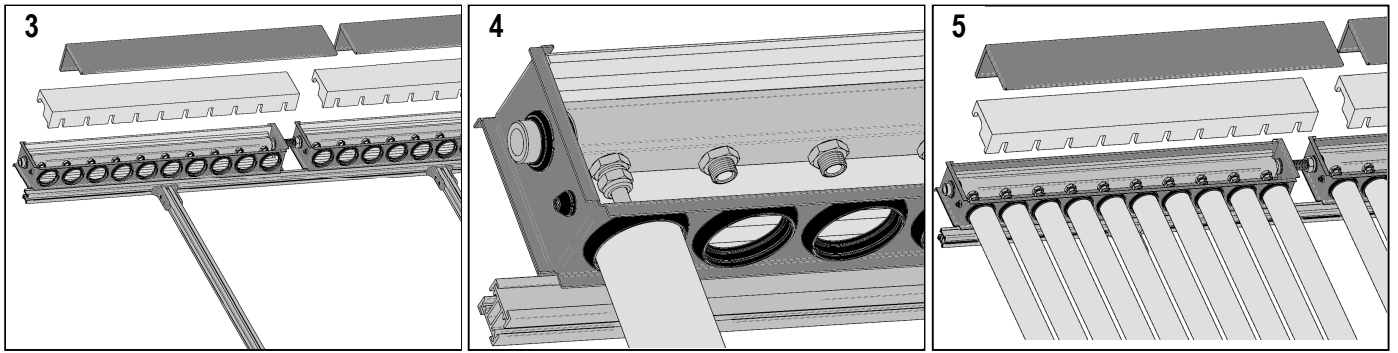


2KSR10 COLLECTOR ASSEMBLY INSTRUCTIONS.



No	Name	Mount
1	Top panel	2
2	Bottom panel	2
3	Vertical bar	2
4	Vacuum tube	20
5	Copper tube Ø6 x1980	20
6	Spring	20
7	Clamp connector nut 3/8"	20
8	Shrink disc	20
9	Silicone O-ring (red)	20
10	Connector	4
11	Insert	4
12	Screw M6x40	8
13	Nut M6	8
14	Screw M8x16	8
15	Washer Ø8	8
16	Nut M8	8
17	Screwing KS ¼"	1
18	Gasket S 24/18	2





2KSR10 collector assembly instructions.

Steps of the assembly:

1. Slide two inserts (11) together with screws (14) into the vertical bars (3).
2. Attach the top panels (1) and the bottom panels (2) to the vertical bars (3) with the use screws (12) and nuts (13). Attach the connectors (10) to the bars top and bottom panel (1, 2). The spacing between the vertical bars (3) for vacuum collectors should be about 0,9 m.
3. Remove the covers from the top panels (1) with insulation.
4. Install the vacuum tubes (4) with spring (6) and Copper tube $\varnothing 6 \times 1980$ (5).
5. After checking the installation's air-tightness put the insulation and covers of the top panels (1) back on.