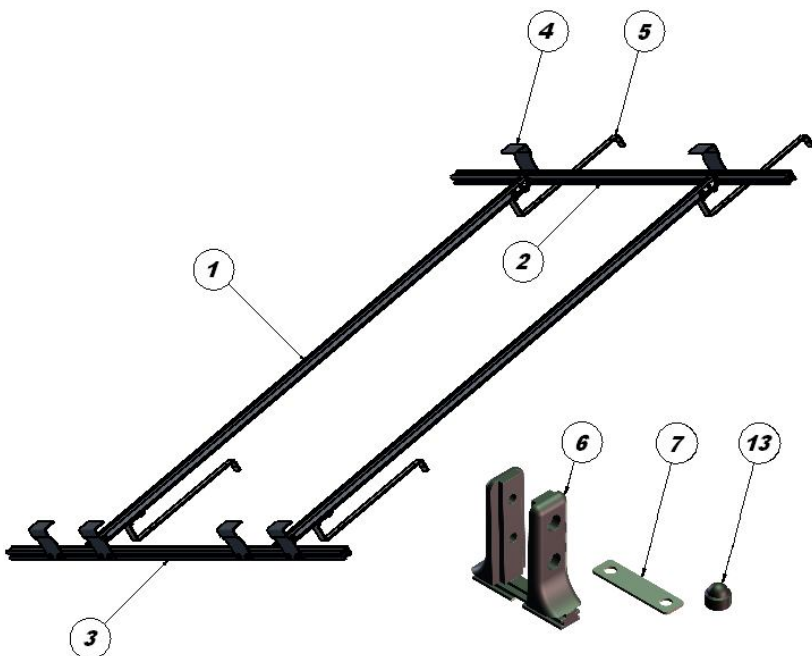
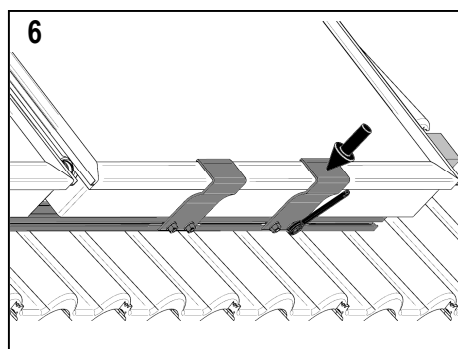
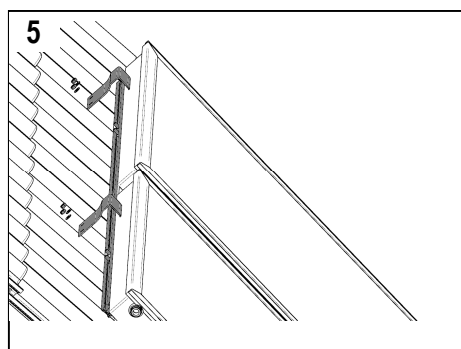
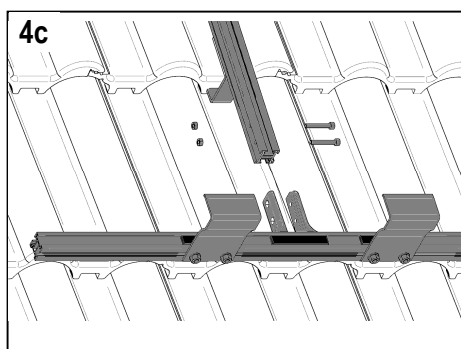
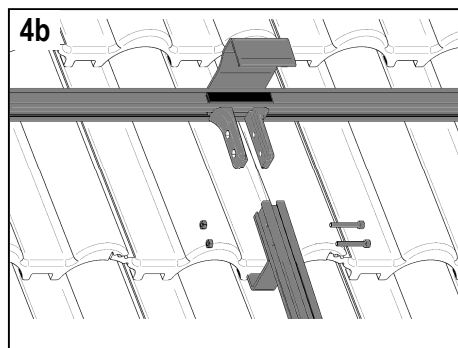
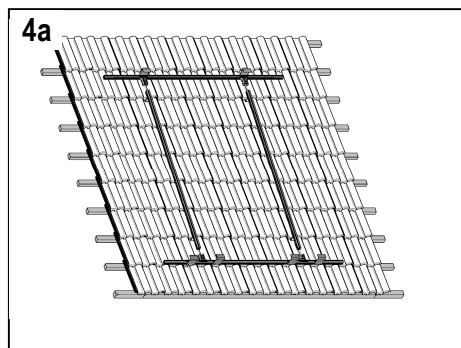
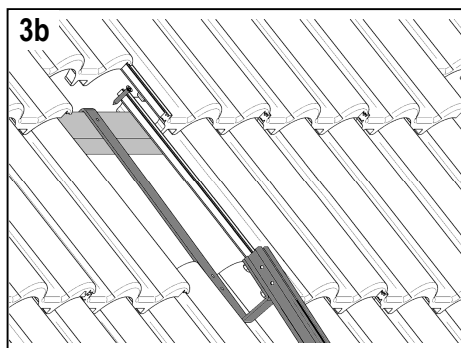
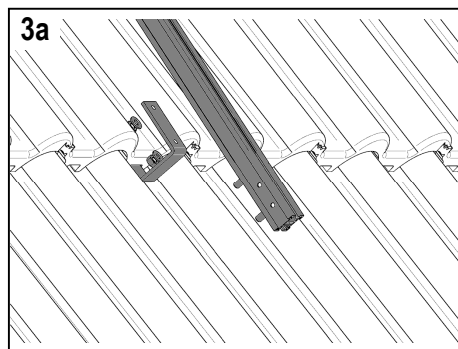
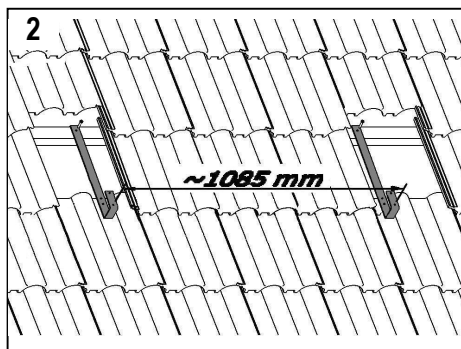
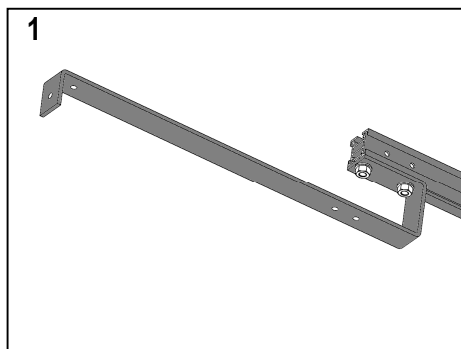


MANUAL OF INSTALLING KSAL-2 (KSOL-2) UNIVERSAL HANDLE ON THE ROOF.



No	Name	Mount
1	Vertical profile	2
2	Top horizontal profile	1
3	Bottom horizontal profile	1
4	Collector grasper	6
5	Hook	4
6	Connector	4
7	Insert	10
8	Screw M6x40	8
9	Nut M6	8
10	Screw M8x16	20
11	Washer Ø8	20
12	Nut M8	20
13	Nut cap	12



KSAL-2 universal handle is used to mount a set of two KS2000 collectors.

Following action of the montage:

1. Screw tightly upper hooks **(5)** putting their edges equally with the profile's edge.
2. After removing the tiles mount lower hooks **(5)** with screw to roof battens in distance of about 1085mm.
3. Mount vertical profiles **(1)** placing the upper hooks so that they fit well with previously mounted lower hooks. Mount the upper hooks to roof batten using screws. Screw tightly nuts which mount bottom hooks.
4. Attach the connectors **(6)** and connect upper horizontal profile **(2)**, and lower horizontal profile **(3)** to vertical profiles **(1)**.
5. During the assembly, remove the upper collector graspers **(4)**. Place solar collectors on the rack with distance between them 85mm. Put the top graspers **(4)** in the place marked with rubber washers and put caps on the nuts **(13)**.
6. Pull and screw home lower graspers **(4)** and put caps on the nuts **(13)**.

Additional information:

- If the roof is covered with metal roofing tiles or bituminous material, the hook holders **(5)** should be modified by cutting off the hooks.